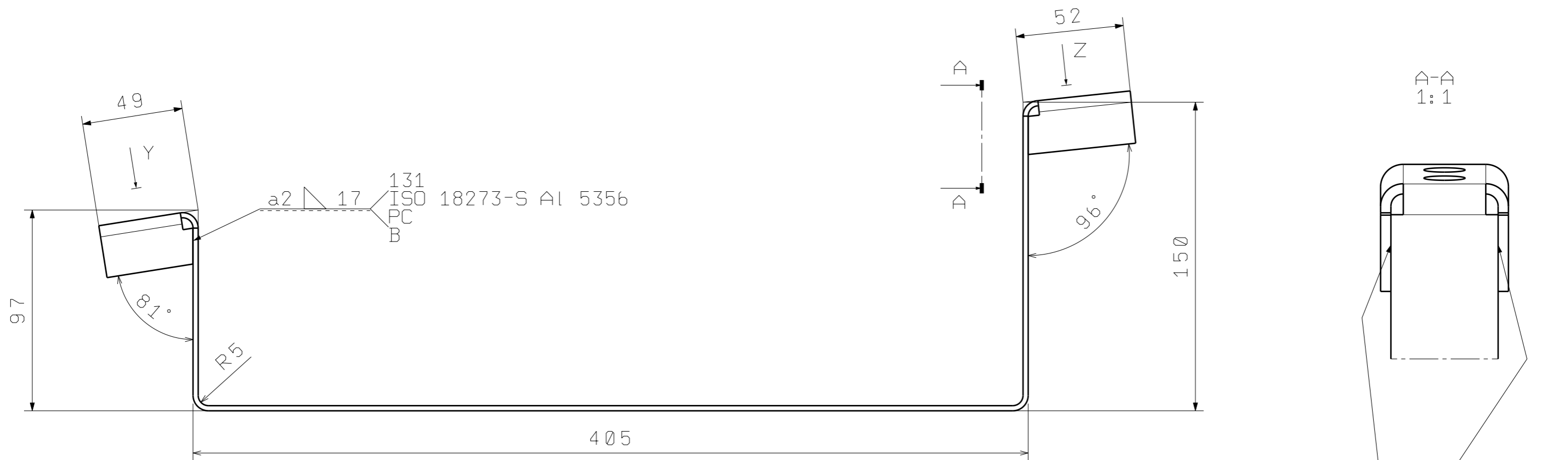


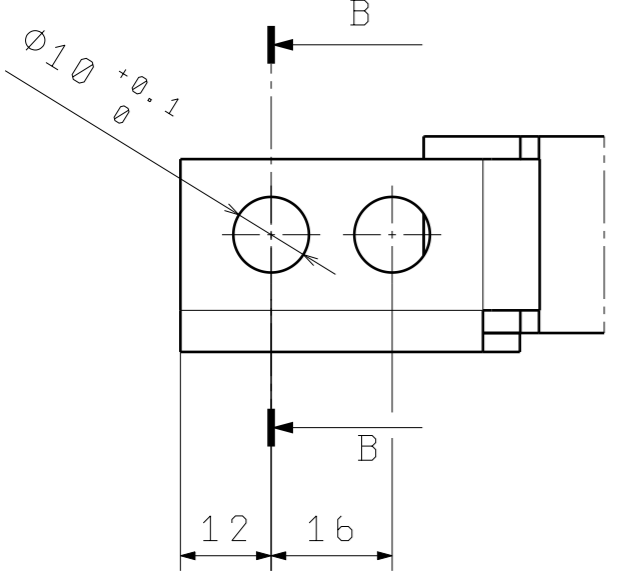
H G F E D C B A



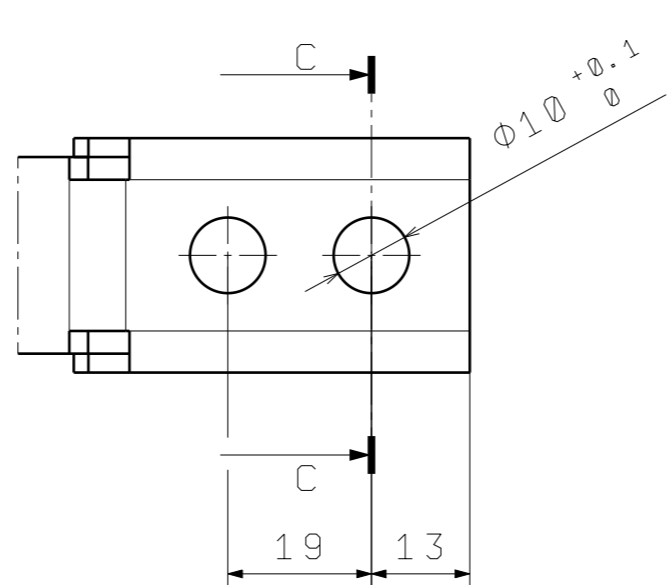
A-A
1:1

Y
1:1

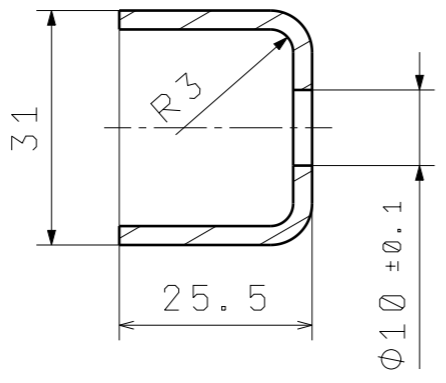
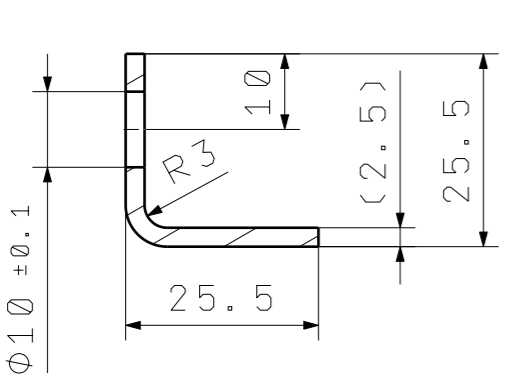
Z
1:1



B-B
1:1

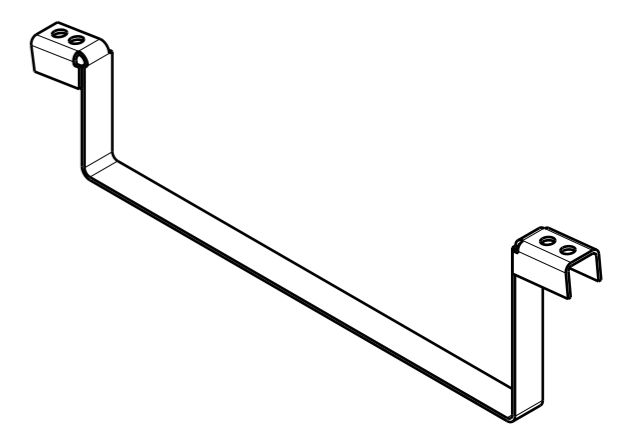


C-C
1:1



131
ISO 18273-S Al 5356
PC
B

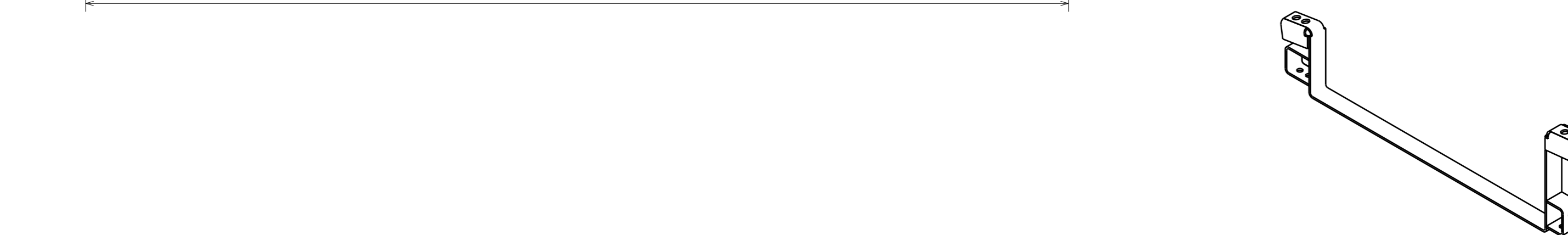
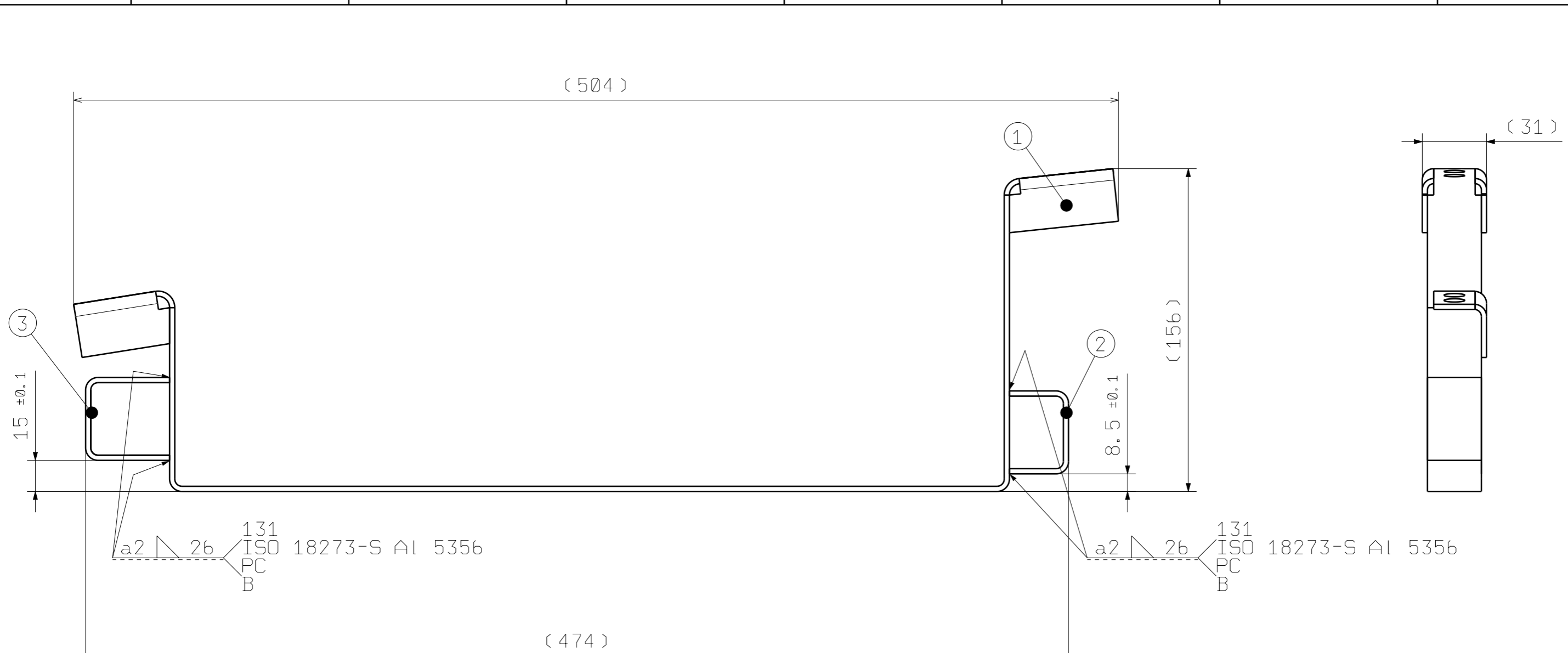
a2 18



This drawing is our property. It can't be reproduced or communicated without our written agreement.		Držák		
DRAWING TITLE		Motorový vůz ř. 810		
DRAWN BY	DATE	SIZE	DRAWING NUMBER	REV
Polishchuk	23.06.2020	A3	KKS DP 002	a
CHECKED BY	DATE	SCALE	WEIGHT (kg)	SHEET
Heller	xxx	1:2	0,28	1/1
DESIGNED BY	DATE			
Polishchuk	xxx			

H G F E D C B A

H G F E D C B A



This drawing is our property. It can't be reproduced or communicated without our written agreement.		Držák - svařenec		
DRAWN BY Polishchuk		DRAWING TITLE Motorový vůz ř. 810		
DATE 22.06.2020	CHECKED BY Heller	DATE 10.07.2020	SIZE A3	DRAWING NUMBER DP KKS 001
DESIGNED BY Polishchuk	DATE 22.06.2020	SCALE 1:2	WEIGHT (kg) 0,3	REV a
		SHEET	1/1	

H G B A

